

CE

Convection
humidification oven
for professional use
WITH DIGITAL CONTROL

CHAPTER I - INTRODUCTION

About this manual

In thanking you for the trust you have shown us in buying one of our products, we wish to suggest that you read the provided instruction booklets very carefully before using the oven.

This manual contains all the information you may need for a proper use and maintenance of the oven. The purpose of this manual is to let the user take every step and to arrange all the means, human resources and materials necessary for a safe and lasting use of the oven.

This manual must be handed over to the person in charge of the use and of the regular maintenance of the appliances, who is required to keep it in a safe, dry and suitable place, available for consultation and for routine oven maintenance. In the event the oven is sold, the handbook must always accompany the appliance.

This manual is also addressed to the operators for installation and extraordinary maintenance service..

The intended purpose and configurations of the provided appliances are the only ones allowed by the manufacturer: do not attempt to use the appliances in any other way.

The intended purpose indicated is valid only for appliances in a perfect state of repair in terms of construction, mechanics and engineering.

The Manufacturer declines any and all responsibility due to improper use or operation by untrained personnel, from changes and/or repairs performed by the user or by unauthorized personnel, and from use of non-original spare parts or spare parts that are not specific for the oven model.

The manual must be kept until the final accurate disposal of the appliance, it must be kept in good conditions and available for consultation all the time. In case of lost or damage of this manual, an extra copy can be provided directly by the Manufacturer or the retailer.

These pages specifically contain explanations for the use of the oven digital controls. They must always accompany the electromechanical oven manual to complete installation, operation and maintenance instructions.



The pages below must always accompany the electromechanical oven manual to complete installation, operation and maintenance instructions.

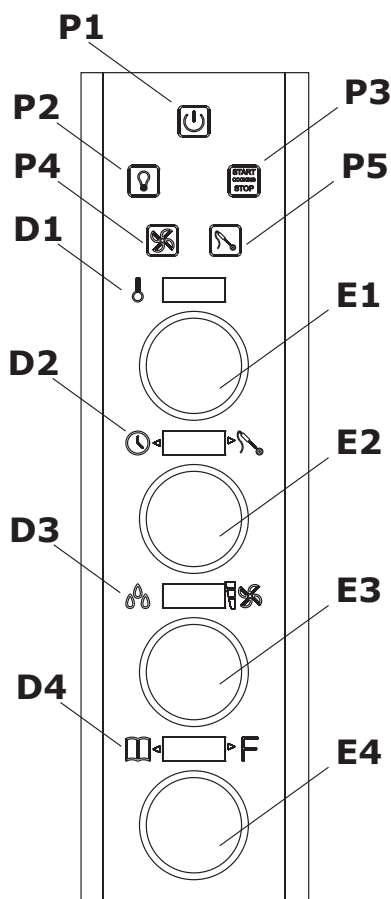


In case of misunderstandings in the following translation, please refer to the Italian version.

CHAPTER III - OPERATING INSTRUCTIONS

Control panel and digital control instructions

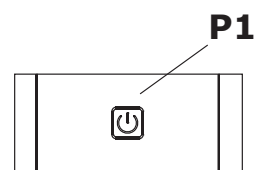
- P1** ON/OFF button
- P2** ON/OFF light button
- P3** Start/stop cooking
- P4** Fan speed setting and fast cool down selection
- P5** Core probe function (**OPTIONAL**)
- D1** Temperature display - gas alarm 🔥
- D2** Timer, automatic pre-heating display and core probe function
- D3** Steam and fan speed display
- D4** Programs display
- E1** Temperature setting - reset gas 🔥
- E2** Timer and core probe temperature setting and pre-heating selection
- E3** Steam and fan speed setting
- E4** Programs setting



ON/OFF

After giving voltage by network supply to the unit, the button **P1** flashes to show that the oven is activated but in stand-by. Pushing this button, the oven lights; the cooking chamber is illuminated and the control panel moves automatically on the mode for insertion of cooking parameters. To turn off the oven, push again the button **P1**.

If there isn't any action, after a per-established time, the oven moves automatically in stand-by.



SETTINGS

When you switch on the oven, the display is activated; the active buttons are illuminated and the displays show the default values.

The insertion of setting values is guided; when a value is confirmed automatically it switches from a parameter to another during insertions.

To confirm the default or new parameters, push the key **P3** start/stop.

At this point **P3** starts blinking because you can start cooking.

Anyway, it is possible before or during the cooking, to change any parameters.

Start/stop of cooking cycle

After introducing all the cooking parameters, the button **P3** starts blinking and it shows that you can start the cooking cycle with the included parameters by pushing it.

During the cooking, it is possible to change at any time all the included parameters.

To stop cooking it is only necessary to push button **P3** and the oven will stop the current cooking showing the parameters included at the start of the cycle.

If during the cooking the door will be opened, the cycle is temporarily suspended and it starts when the door will be closed again.

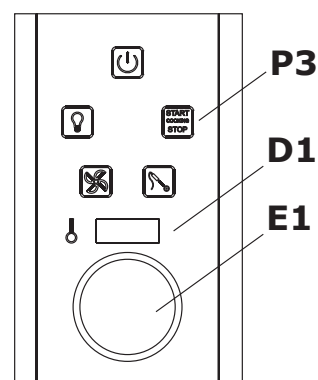
Temperature

After having turned on the unit, the temperature's display **D1** blinks, as well as the led associated to the respective adjustment knob **E1**. This indicates that you are allowed to change the temperature's parameter.

To set a different value from the default's one you have to rotate the knob **E1** and push it to confirm. If you accept the default's value you have to push the knob **E1** or after 10 seconds the temperature's value will be automatically confirmed without any action.

The temperature's value can be changed at any moment by pushing **E1** knob. Its display starts blinking and then you can insert the new preferred value. During cooking, on the **D1** display, you can see the value of the real temperature inside the chamber; if you push the button **E1** you can see the pre-set temperature which can be changed by turning the knob. To confirm it you have to push the button **E1** and wait approx. 10 seconds.

The highest temperature's value is 270°C.



Cooking time

When display **D2** and the led that indicate the knob **E2** blink, you can choose your desired temperature's valor. To set the value of the cooking time it is necessary to rotate the knob **E2** and push to confirm it. After 10 seconds this parameter will be automatically saved if no further action will be executed. The value can be change in each moment by pushing and rotating the knob **E2**. It is possible to insert a time value up to 9 hours and 59 minutes as well as the infinity mode ("Inf" on the display).

During cooking, on the display appears a countdown of the chosen pre-set time. At the end of cooking appears a blinking notice on the display and you can hear also an intermittent beep alarm. To stop the beep you have to push the button or the knob.

Umidification & steam

Display **D3** shows the humidification's level parameters during the cooking cycle. When the display is flashing you can set up the desired value on a scale from 10% to 100%.

If you don't set up any value it appears on the display the notice "PUSH" that indicates the possibility to insert some steam "manually" inside the cooking chamber. To make this operation you have to push the knob **E3**.

If you wish to change the setting to mixed or steam mode, you can set the new values by rotating the knob **E3** and confirm them by pushing it.

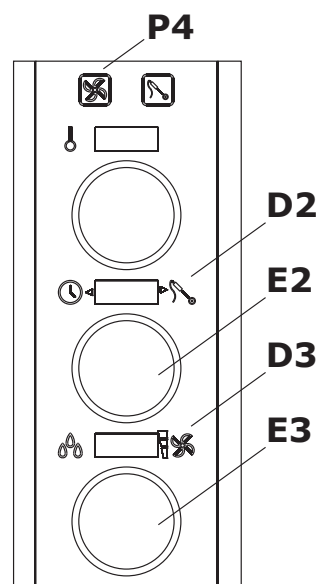
You can change the humidification values at any time during the cooking cycle.

Fan speed

On the right side of the display **D3** you can see a graduate led scale (3 steps) of the oven's speed fan.

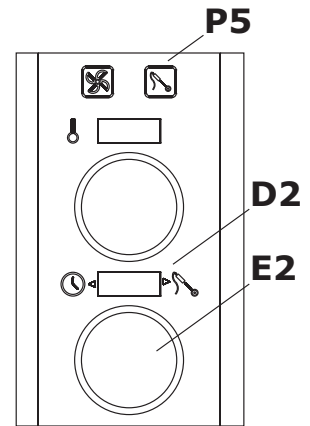
When the marks on the scale blink, you can change the parameter turning the knob **E3** and choose the desired value, respectively from maximum (up) to middle and minimum (down) fan speed.

To confirm this parameter you have to push another time the knob **E3** or the button **P4**, waiting for 10 seconds without doing any further action.



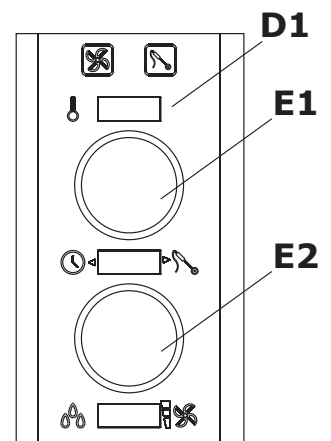
Core probe (optional)

With the button **P5** you can choose the core probe cooking mode. Therefore on **D2** display it will be shown the core probe temperature. After pushing button **P5** when display **D2** blinks you can set the core probe temperature values by the knob **E2** and then you confirm it pushing the knob. The temperature value for the core probe is from 30°C up to 99°C. If you want to change from time mode to core probe one, you have to stop the current cycle and then, pushing the button **P5**, set your desired cooking mode as above described. Upon reaching the set temperature for cooking it appears a lighting notice on the display **D2** with an intermittent acoustic signal. To stop the signal you have to push a button or a knob.



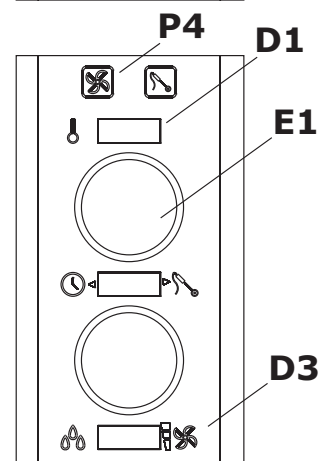
PREHEATING

The oven control gives you the possibility to set the preheating before start cooking. To enter the preheating, when you choose cooking time parameters, you may push for 5 seconds the knob **E2** until appears on the display the notice "PrE" that indicates the preheating activation function. With the pressure of the knob **E1** you may enter the preheating temperature which will be displayed on **D1**. The end of this function is indicated with a blinking notice and an acoustic beep. When the preheating cycle ends, if you don't open the oven door or you don't set up any different cooking temperature, it will be automatically saved the preheating temperature for cooking.



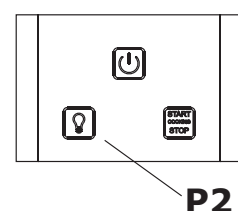
COOLING

When cooking cycle ends, you can decide for fast cooling function of the oven by pushing for 5 seconds the knob **P4**. On display **D3** you will see the notice "raFF" that shows the activation of this mode. On display **D1** appears the temperature that you decide for cooling; you can set up it by pushing the knob **E1**. When cooling starts, a notice to open the oven's door appears on the display, to enter the desired function.



ON/ OFF LIGHTS

It is possible, at any time, to switch ON or OFF the lights inside the oven's cooking chamber by pressing the button **P2**.



PROGRAM SETTINGS

The electronic control is provided to manage 60 recipe programs of 5 cooking phases each. To enter in the program menu, when the oven is on, you have to push the knob **E4**.

Automatically on display **D4** two identification numbers are lighting to permit you to choose the program and a phase indicator to choose the phase.

If you push **E4** when you are on recipe's menu, you move from program to phases.

You can exit from this mode on position "- -".

New program settings

To enter a new recipe you have to choose a free position with knob **E4** (you can identify empty programs when on the phases display the number is "0") and then confirm it by pushing again the knob **E4**; therefore you enter automatically on a self-guided mode to introduce the first cooking parameters. To memorize these values it is necessary to push the knob **E4** until it appears the notice "MEM" on display **D4**. If you want to change these values you have to push the knob **E4**, change the values and memorize it as above.

On the first cooking phase of each program you can enter the automatic preheating as reported at the point "Preheating Function".

After pushing the button **E4** the phase display starts flashing with the respective numbers to indicate that you can choose the next phase to be memorized. At this point you can enter the cooking values of the new phase and, at the end, you have to confirm and memorize them by pushing the knob **E4**.

You may move to a new recipe/phase by pushing the knob **E4** again.

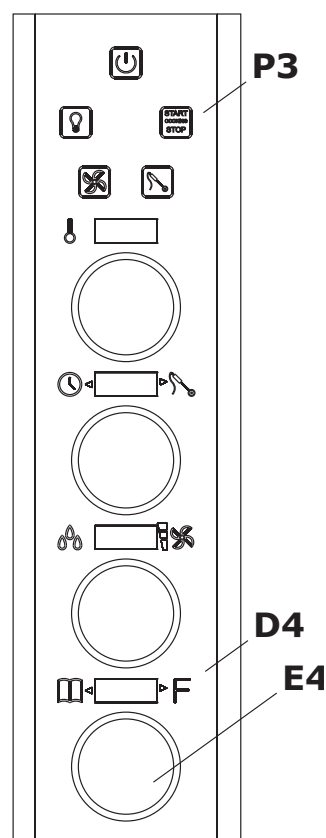
Start/stop of cooking program

Enter into the recipe menu by pushing the knob **E4**, select your cooking program and start the cooking cycle by pushing the button **P3**. On display **D4** you can see the blinking number of the current phase and the number of the total phases.

If, during the cooking cycle, you want to go to the next phase manually, push the knob **E4** until it appears the number of the next phase on display **D4**. If you want to stop a

running program you have to push the button **P3**.

If you open the oven door during cooking, the cooking cycle stops and, when you close the door it starts again from the same point.



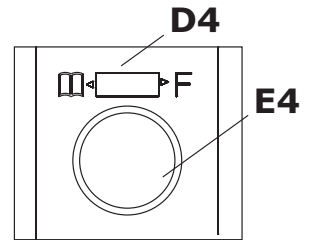
Change of program parameters

You may change the parameters of a program cooking phase at any time. Enter into the program menu by pushing the button **E4**; select the recipe and the phase you want to modify. Then, you may proceed to modify the parameters with the relative knob.

To memorize the new parameters you have to push **E4** until it appears the notice "ME M" on display **D4**.

During cooking it is also possible, at any time, to edit the parameters of the phase underway.

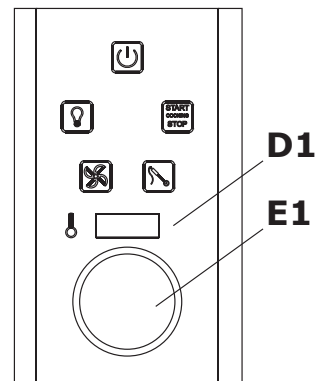
If some changes are made, when the cycle is over, hold down knob E4 until text "ME M" appears on display D4.



RESET GAS (in gas versions only)

In gas ovens, if the alarm "RESET" appears, press **E1** knob to unlock the heating control unit.

If the problem occurs again after reset with the reset key, please consult table "Troubleshooting" or contact the customer service.



WARNING SIGNALS

The oven has some allarm and they stop or not the working of the oven. This allarm are always combined with an acoustic signal.

	Possible causes
ERR1	•Intervention or failure of the safety thermostat.
ERR4	•Chamber probe open or short-circuited.
ERR5	•Error or failure of electronic power board.
ERR6	•Signal of "door open .
ERR7	•Core temperature probe open or short-circuited .
ERR8	•Error on cooking parameter settings.
ERR13	•High mother-board temperature.

mac.pan
bakery solutions since 1983

www.macpan.com